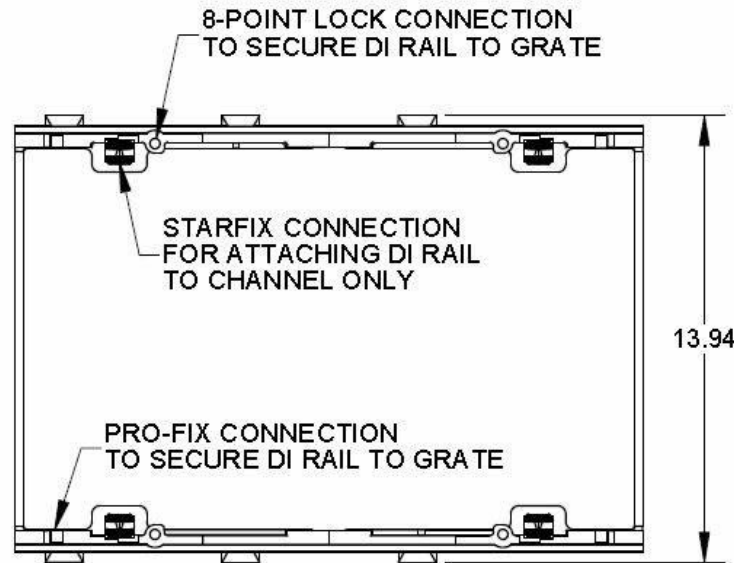


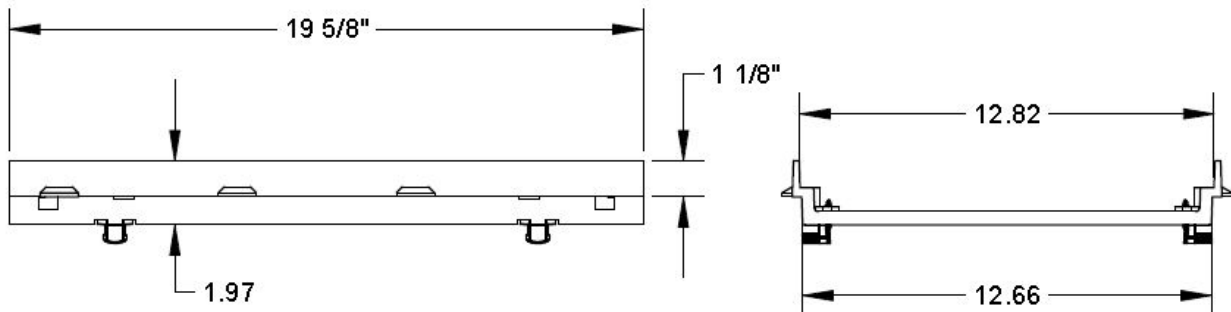
<p><b>Number</b></p> <p style="text-align: center;"><b>300-DI</b></p>	<p><b>Series</b></p> <p style="text-align: center;"><b>CPS300</b> Ductile Iron Frame Pro Plus 300</p>
---	---



**300-DI Ductile Iron Frame**



**NOTE:**  
THIS DUCTILE IRON RAIL WILL NOT ACCEPT STARFIX GRATES. PRO-FIX AND 8-POINT LOCK ARE THE ONLY SECURING METHODS.



**Manufacturer**



Quality engineered trench drain system

**Specification**

±  
300-DI (152433) DUCTILE IRON FRAME USED TO PROVIDE IRON EDGE FOR MEA 300 SIZE PRO-PLUS CHANNELS WITH CONCRETE ANCHORS AND STARFIX CONNECTIONS ATTACHED, SUPPLIED BY TRENCH DRAIN SUPPLY.

**DISCLAIMER** - The customer and the customer's architects, engineers, consultants, and other professionals are completely responsible for the selection installation and maintenance of any product purchased from Trench Drain Supply and/or its manufacturers. TRENCH DRAIN SUPPLY MAKES NO WARRANTY, EXPRESS OR IMPLIED, AS TO THE SUITABILITY, DESIGN, MERCHANTABILITY, OR FITNESS OF THE PRODUCT FOR CUSTOMERS APPLICATION. The drawing and information provided remain the property and copyright of the manufacturer listed. The manufacturer reserves the right to modify specification without notice.